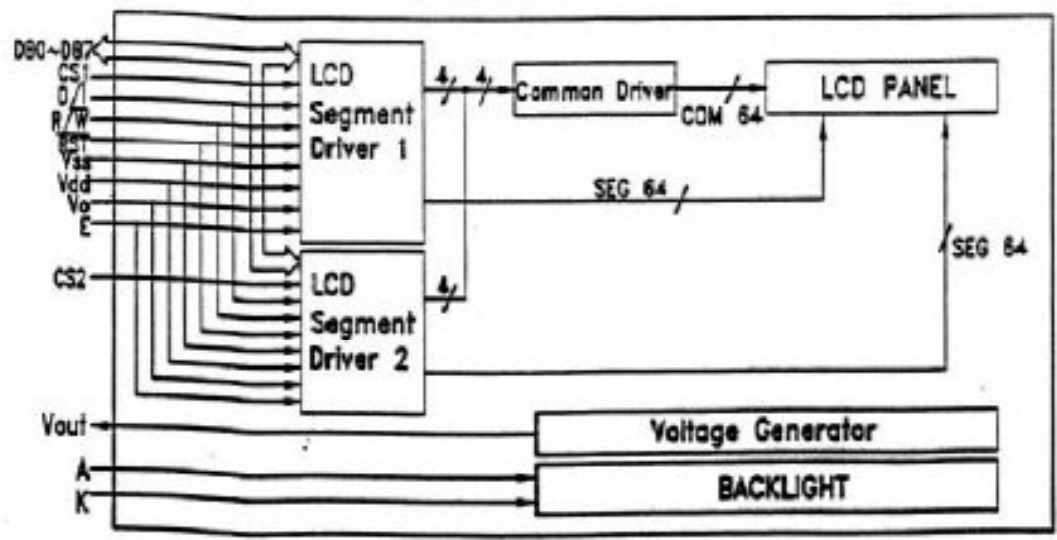


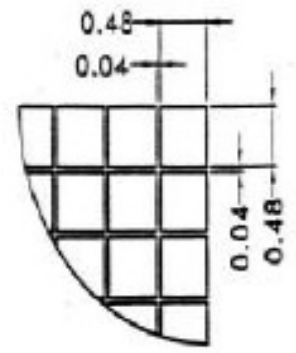
(LED:13.5±0.5)
9.7±0.5
5.1 (LED:8.9)



PIN NO.	SIGNAL
1	V _{SS}
2	V _{DH}
3	V _G
4	D/I
5	R/W
6	E
7	DB0
8	DB1
9	DB2
10	DB3
11	DB4
12	DB5
13	DB6
14	DB7
15	CS1
16	CS2
17	RST
18	V _{out}
19	A
20	K



The tolerance unless classified ±0.3mm



SCALE:15/1

POWERTIP TECHNOLOGY		
SCALE:	MODEL NAME	
1/1	PG 12864-K	
UNIT:	TITLE	
mm	COUNTER DRAWING	
ED: PAGE:	DRAWN NO.	
0 / 1/1	PG-9807	
APPROVED	CHECKER	DRAWN
<i>[Signature]</i>	<i>[Signature]</i>	<i>[Signature]</i>

2001 3/21 2001.3.21