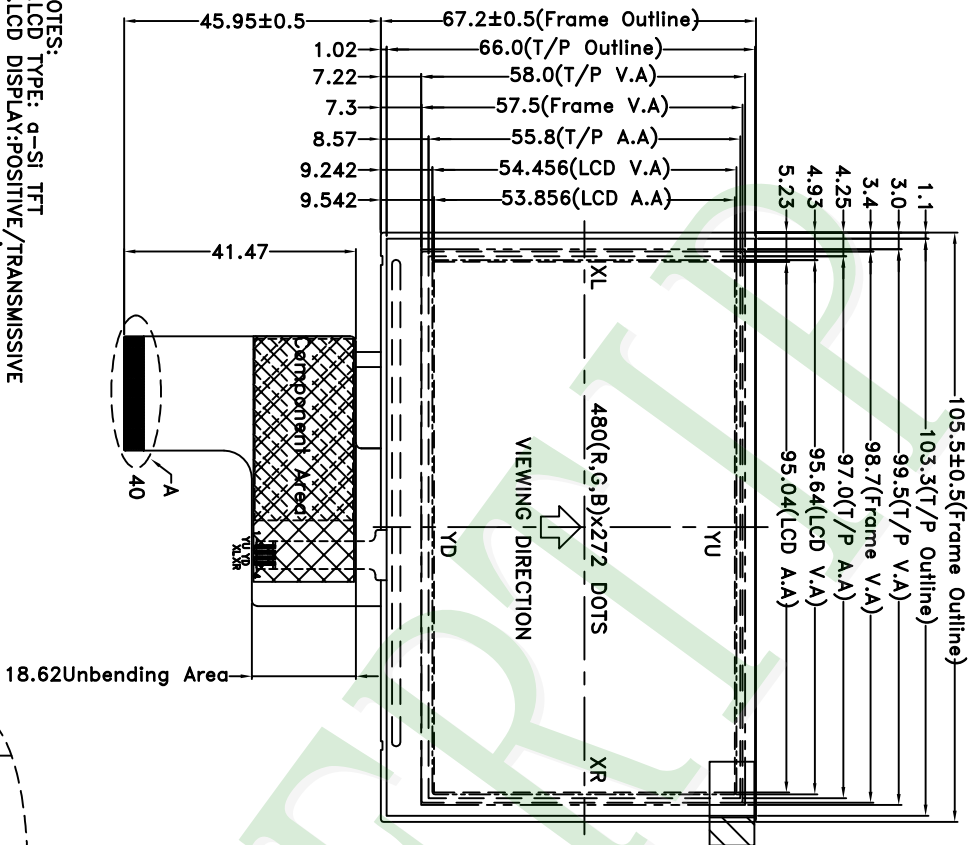
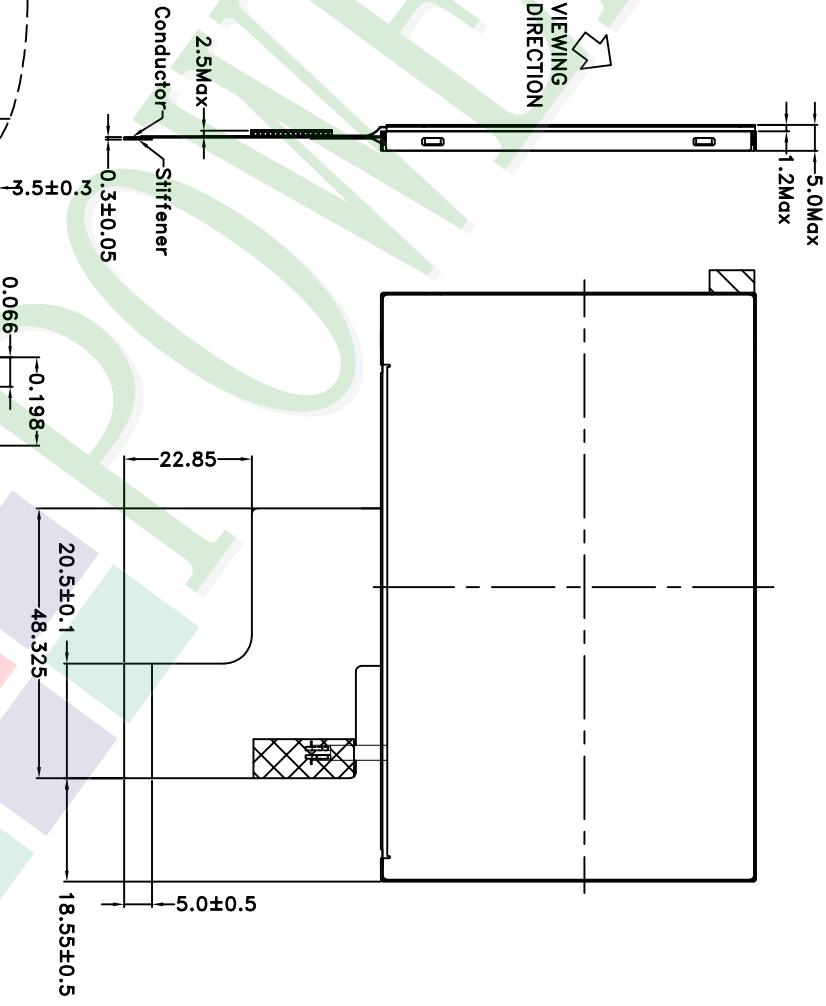
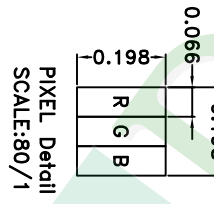
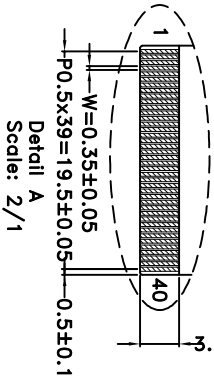


A B C D E F G H



- NOTES:
- 1.LCD TYPE: g-Si TFT
 - 2.LCD DISPLAY: POSITIVE / TRANSMISSIVE
 - 3.VIEW DIRECTION: 6 O'CLOCK
 - 4.Top: -20~-70°C Tst: -30~80°C
 - 5.The tolerance unless classified $\pm 0.2\text{mm}$
 - 6.I.C NO.: 0TA5180A
 7. FPC Component Area (H=1.0Max)
 - 8.FPC suggested connector : (ENTER)6701K-E40N-00L or compatible



1 2 3 4 5 6

久正光電股份有限公司
POWER TIP TECHNOLOGY CORPORATION

Design	Air	Unit	MM	Material	Thickness	Quantity	Precision Level
Check	Terry						
Approve	Ryan	Page	1/1				

007							
006							
005							
004							
003							
002							
001	NEW DRAWING	Air	2019/01/23				
REV		REV BY		REVISER	DATE		

Part No.	PH4802721005-1AB11
Drawing Name	JLMD-PH4802721005-1AB11
Title	LCD Module Drawing