

Dear Partners:

Halfway into the first month of 2024, and hope you all have a good start.

Powertip is introducing two models with **MIPI** interface, which are beneficial for low power consumption and high transmission rate.

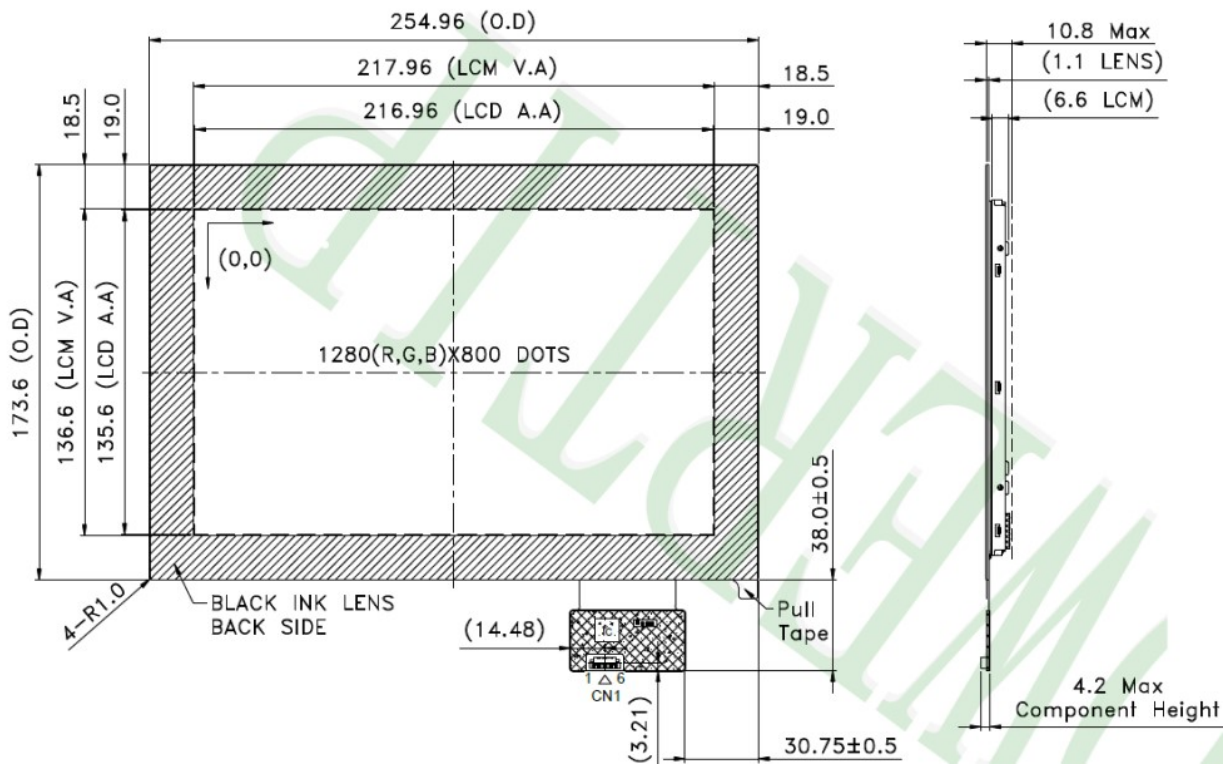
1. PH128800T007-ZFC01: IPS, 50K MTBF with 500 nits.
2. PH128800T007-ZHC02: IPS, extended operating temperature, 50K MTBF with 800 nits.

Suitable application of outdoor, automotive, smart home control and measure instruments.

■ 10.1" MIPI TOUCH DISPLAY

Item	Description
Display Resolution	1280 *3 (RGB) * 800 Dots
LCD type	Full Viewing Angle, Normally Black, Transmissive type
Screen size (inch)	10.1 inch
Interface	4-Lanes MIPI
Output Interface	I2C
Drive IC	FT5726
Operating Temp.	-20 ~ +70 deg. C
Storage Temp.	-30 ~ +80 deg. C
Brightness	500 cd/m ²
Life time	50000 hrs (25deg.C, IF= 200mA)

Item	Description
Display Resolution	1280 *3 (RGB) * 800 Dots
LCD type	Full Viewing Angle, Normally Black, Transmissive type
Screen size (inch)	10.1 inch
Interface	4-Lanes MIPI
Output Interface	I2C
Drive IC	FT5726
Operating Temp.	-30 ~ +80 deg. C
Storage Temp.	-40 ~ +85 deg. C
Brightness	800 cd/m ²
Life time	50000 hrs (25deg.C, IF= 200mA)



Application:
 Outdoor
 Measure Instrument
 Smart Home Control
 EV Charger

