

Dear Partners:

Powertip is introducing PH102600T013-ZHC, 7" 1024*600 resolution, with capacitive touch panel.

Feature"

- With V-com, B/L power on FPC
- Support wide range, analog power supply 5v-15v
- Same RGB interface with various size 3.5", 4.3", 5", 7" (800480 resolution)
- 50K MTBF with 850 nits.
- With EMI shielding on both display FPC and touch FPC

Suitable application of home appliance, smart home control units, Agri-tech measure, management Device, and data router.

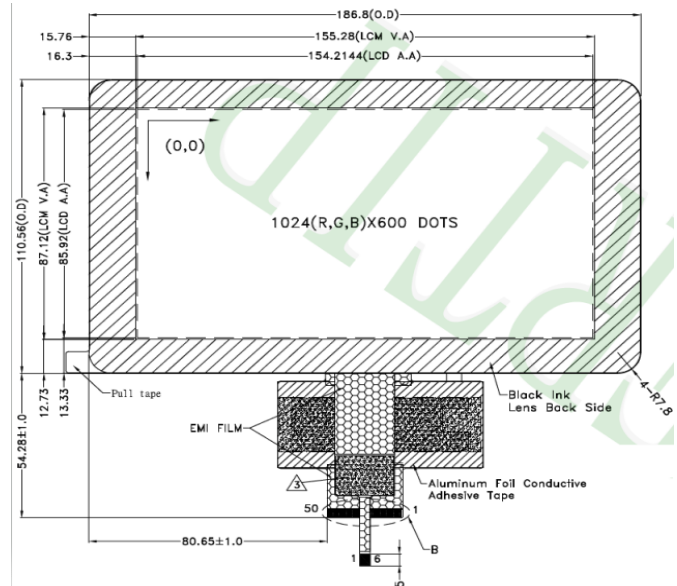
Please visit our website to learn more about our products or contact with your sales representative for pricing and more information.

<https://www.linkedin.com/company/76339150/admin/feed/posts/>

<https://www.powertip.com.tw/>

■ 7" PH102600T013-ZHC

Item	Description
Display Resolution	1024 * 3 (RGB) * 600 Dots
LCD type	Full Viewing Angle , Normally Black , Transmissive type
Screen size (inch)	7 inch
Interface	RGB Interface
Drive IC	ST5021-G3-1 + ST5651CB-G3-1
Operating Temp.	-20 ~ +70 deg. C
Storage Temp.	-30 ~ +80 deg. C
Brightness	850 cd/m2
Life time	50000 hrs (25deg.C, IF= 200mA)
CTP IC	FT5426
Output Interface	I2C



■ Application:

- Outdoor
- EV charger
- Agri-tech measurement
- Autonomous device
- Data router

