

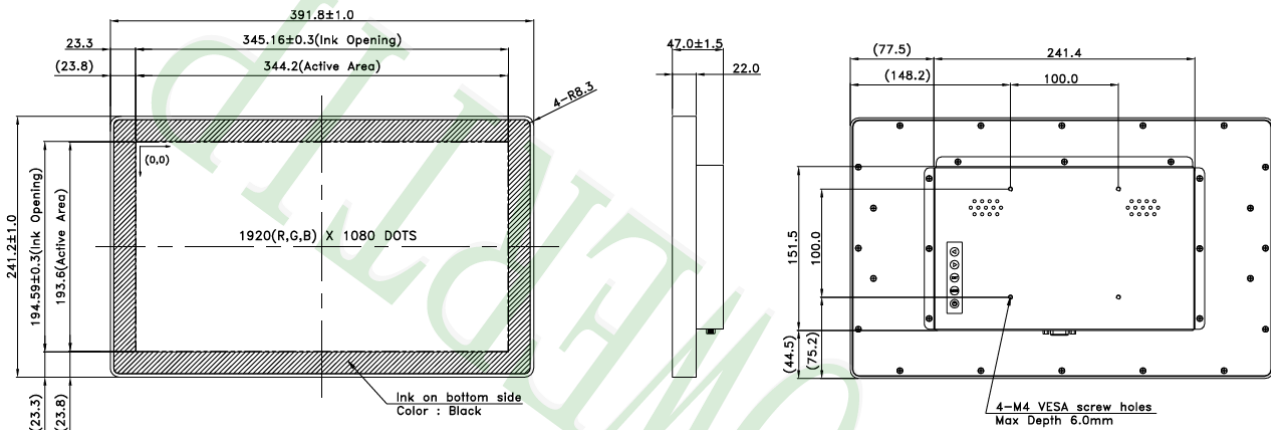
Dear Partners:

Powertip is introducing 15.6" industrial touch monitor HDA192108T005-ZFC. Featuring with VESA mounting, video input interface of HDMI, DisplayPort, VGA, projective CTP, finger / 10 points touch, 50K MTBF, 380 nits.

The monitor provides various interface, well visual experience, and durability that meet various industrial applications' demands. Suitable for POS, facility monitoring system, health care, and Industrial control system.

■ 15.6" HDA192108T005-ZFC

Item	Description
Resolution	1920*(R.G.B)*1080 Dots
Display Mode	Transmissive, Normally Black
Screen size (inch)	15.6 inch
Video Interface	HDMI, DisplayPort, VGA
Touch type	Projective Capacitive Touch Panel
Touch Method	Finger / 10 Points touch
Touch Interface	USB (TYPE-B)
Touch IC	ILI2521
Operating Temp.	0 ~ +70 deg. C
Storage Temp.	-30 ~ +80 deg. C
Brightness	380 cd/m2
Life time	50000 hrs (25deg.C, IF= 200mA)



Please visit our website to learn more about our products or contact with your sales representative for pricing and more information.

■ Application:

- POS
- Monitoring system
- Health care
- Industrial control system

