

Dear Partners:

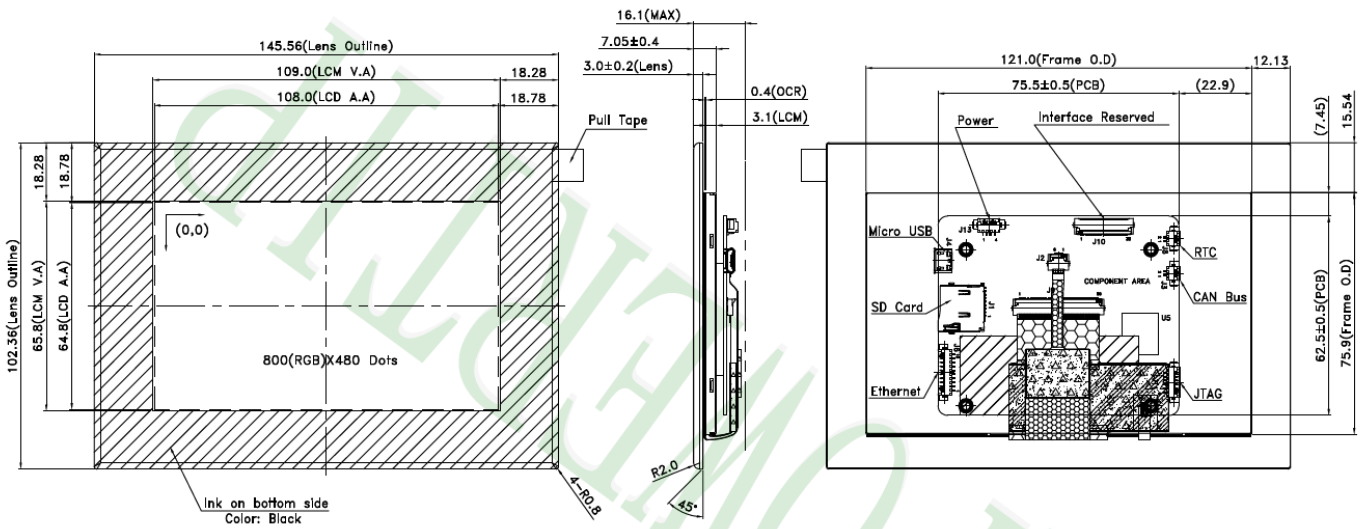
Enhancing your device with embedded solution for your outdoor application. Powertip HMI solutions including display, electronics, and PCAP touch screens as a total solution to improve functionality and user experience.

We would like to introduce 5" HMI model HMA800480T030ZHR06, 5" 800480 resolution TFT display with STM3H750 MCU controller board, which helps customers to shorten the developing schedule and to drive customer's products to the market faster.

Please visit our website to learn more about our products or contact with your sales representative for pricing and more information.

- Features of display:
  - High brightness
  - Optical bonding (OCR)
  - 3mm cover glass
  - With V-Com, B/L Power on FPC
- 5" HMA800480T030ZHR06

Item	Description	
Display	PH800480T030-ZHR06	IPS TFT 800*480 resolution, capacitive touch panel with 3mm thickness cover lens
CPU	RISC Processor	STM32H750
		480 MHz, ARM Cortex-M7
Memory	RAM	16MB SDRAM
	Flash	32MB QSPI FLASH 8G eMMC (Optional)
	External Storage	1 x Micro SD (max. 32G)
Display	Resolution	800 * 3 (RGB) * 480Dots
	Viewing Direction	Full Viewing Angle
	Interface	Parallel RGB 24 bits
I/O	USB	1 x USB2.0 Device
	Serial	1x UART, 1 x SPI, 1 x I2C, 1 x CAN
	RMII	1 x Ethernet
Power Input	DC	5V



- Application:
- Home Appliance
  - Industrial Machine
  - Healthcare
  - EV charger
  - Vending Machine

